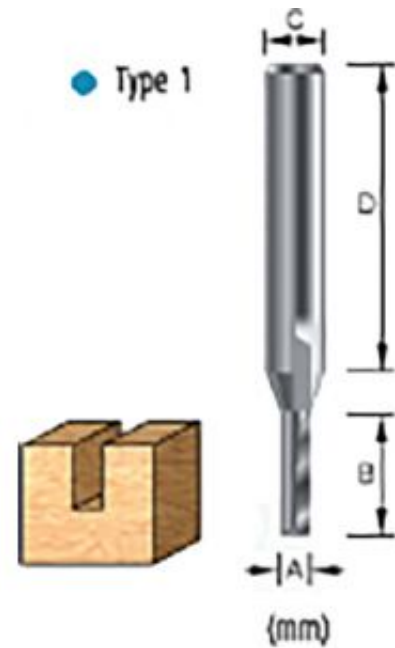


# Straight Bit, 3 x 8 x 6 x 32 mm

## D-12120

Straight Bit, 3 mm

3 x 8 x 6 x 32 mm



### TECHNICAL SPECIFICATIONS

Diameter (D)	3 mm
Length	32 mm
Width A	8 mm
Shank (C)	6

