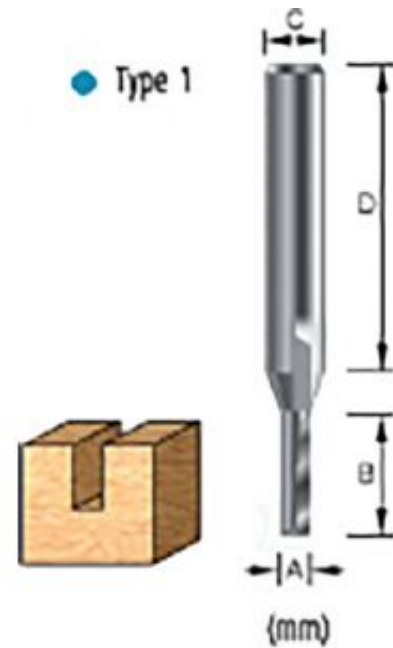


Straight Bit, 25.4 x 25.4 x 12 x 38 mm

D-13736

Straight Bit, 25.4 mm

25.4 x 25.4 x 12 x 38 mm



TECHNICAL SPECIFICATIONS

Diameter (D)	25,4 mm
Length	38 mm
Width A	12 mm
Shank (C)	25,4

