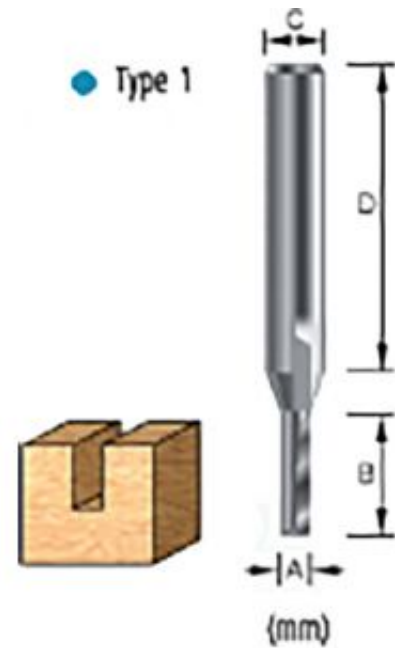


Straight Bit, 12 x 25.4 x 38 mm

D-13437

Straight Bit, 12 mm

12 x 25.4 x 12 x 38 mm



TECHNICAL SPECIFICATIONS

Diameter (D)	12 mm
Length	38 mm
Width A	25,4 mm
Shank (C)	12

